

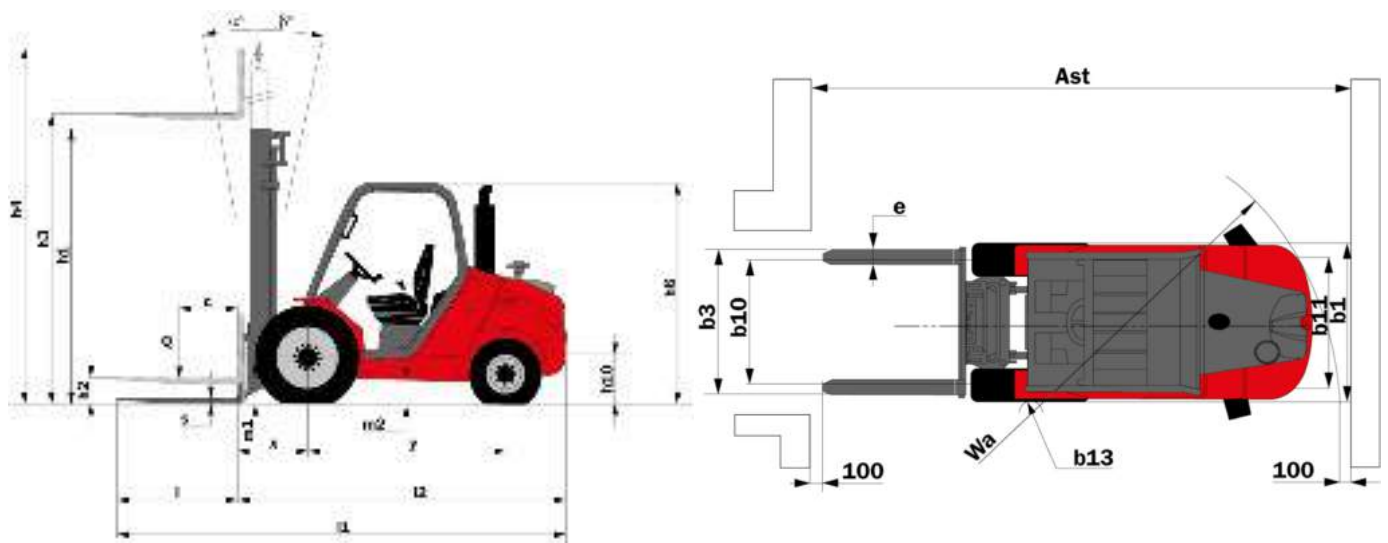
Technical sheet

# **MSI 35**

Masted Forklift Trucks



	Technical characteristics	Metric
1.1	Manufacturer	Manitou
1.2	Model	MSI 35
1.3	Type of traction	Diesel
1.5	Q - Rated capacity	3500 kg
1.8	x - Distance from the load bearing surface to the centre of the front axle	630 mm
1.9	y - Wheelbase	1800 mm
Weight		
2.1	Weight of truck in working order	4845 kg
2.2	Laden weight on front/rear axle	7430 kg / 915 kg
2.3	Unladen weight on front/rear axle	1730 kg / 3115 kg
Wheels		
3.1	Tyre equipment: bandage (V), PPS (SE), inflatable tyre (L)	L
3.5	Number of front wheels (x)	2x / 2
Dimensions		
4.2	h1 - Height (mast lowered)	2300 mm
4.3	h2 - Free lift	135 mm
4.5	h4 - Height of extended mast	4193 mm
4.19	l1 - Total length	4130 mm
4.20	l2 - Length to fork heel	3030 mm
4.21	b1 - Overall width - Single/twin wheels	1320 mm / -
4.23	Fork carriage to DIN 15173 A/B	FEM 3A
4.24	b3 - Width of fork clamp	1260 mm
4.33	Ast - Aisle width for 1000 x 1200 pallet widthwise	4590 mm
4.34	Ast - Aisle width for 800 x 1200 pallet lengthwise	4700 mm
4.35	Wa - Turning radius	2590 mm
Performances		
5.1	Speed of travel laden / unladen	20 km/h / 20 km/h
5.5	Nominal pulling force laden / unladen	2005 daN / -
5.7	Maximum ramp laden / unladen	29 % / 29 %
5.10	Service brake	Hydraulic
Engine		
7.1	Engine manufacturer / Type	Kubota - V2403 M TE3 / Stage 3A
7.2	Useful power	36 kW
7.4	Number of pistons / Capacity	4 / 2434 cm <sup>3</sup>
Miscellaneous		
8.2	Working hydraulic pressure for attachments	190 bar
8.3	Oil flow rate for attachments	77 l/min



### Characteristics of masts and residual capacities

Duplex Total Visibility		FVD 30	FVD 33	FVD 35	FVD 37	FVD 40	FVD 45	FVD 50
Lift height	mm	3000	3300	3500	3700	4000	4500	5000
Height (mast lowered)	mm	2150	2300	2400	2560	2750	3000	3250
Free lift	mm	135	135	135	135	135	135	135
Height of extended mast	mm	3893	4193	4393	4593	4893	5396	5863
Forward/backward mast tilt angle	°	10 / 12	10 / 12	10 / 12	10 / 12	10 / 12	10 / 12	6 / 6

Triplex Free Lift		FLT 37	FLT 40	FLT 43	FLT 47	FLT 50	FLT 55	FLT 60	FLT 65
Lift height	mm	3700	4000	4300	4700	5000	5500	6000	6600
Height (mast lowered)	mm	2050	2150	2300	2400	2560	2750	3000	3250
Free lift	mm	1297	1397	1547	1647	1807	1997	2247	2497
Height of extended mast	mm	4500	4800	5100	5500	5800	6300	6800	7300
Forward/backward mast tilt angle	°	10 / 12	10 / 12	10 / 12	10 / 12	6 / 6	6 / 6	6 / 6	6 / 6



Siège Social  
430 rue de l'Aubinière - 44150 Ancenis Cedex - France  
Tel: +33(0)2 40 09 10 11 - Fax: +33 (0)2 40 09 10 97  
[www.manitou.com](http://www.manitou.com)



This brochure describes versions and configuration options for Manitou products which may be fitted with different equipment. The equipment described in this brochure may be standard, optional or not available depending on version. Manitou reserves the right to change the specifications shown and described at any time and without prior warning. The manufacturer is not liable for the specifications given. For more information, contact your Manitou dealer. Non-contractual document. Product descriptions may differ from actual products. List of specifications is not comprehensive. The logos and visual identity of the company are the property of Manitou and may not be used without authorisation. All rights reserved. The photos and diagrams contained in this brochure are provided for information only.

MANITOU BF SA - Limited company with board of directors - Share capital: 39,547,824 euros - 857 802 508 RCS Nantes