

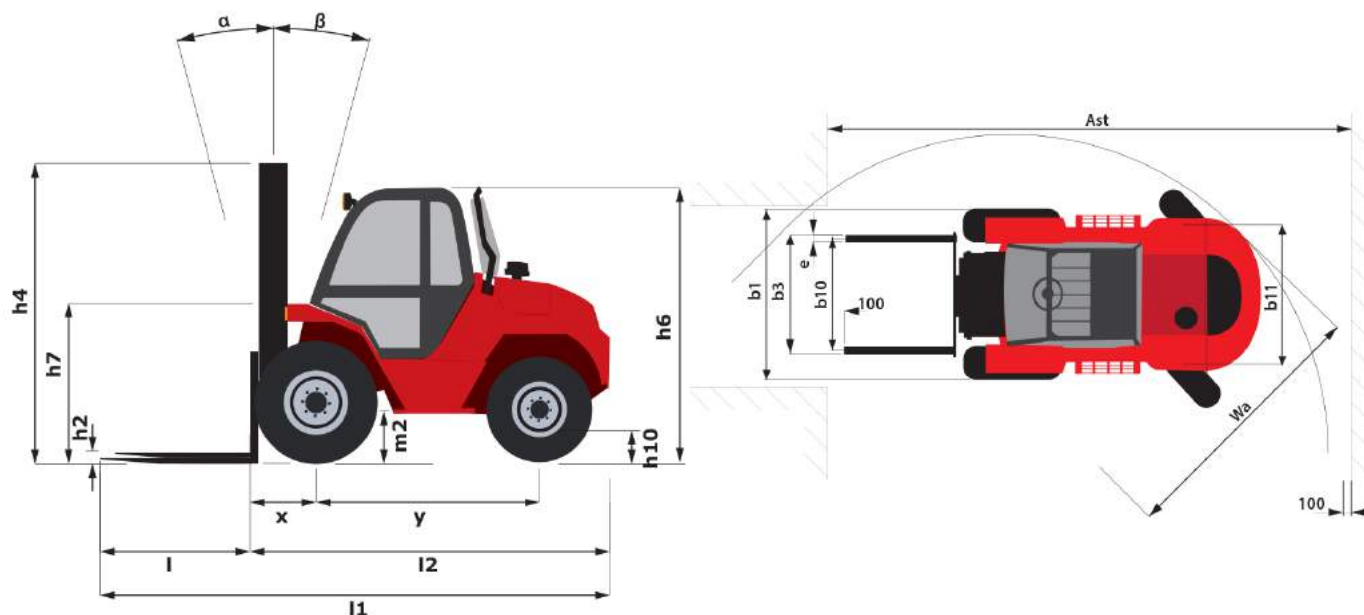
Technical sheet

M 30-4

Masted Forklift Trucks



Technical characteristics		Metric
1.1	Manufacturer	Manitou
1.2	Model	M 30-4
1.3	Type of traction	Diesel
1.4	Type of operation	Seated
1.5	Q - Rated capacity	3000 kg
1.9	y - Wheelbase	1995 mm
Weight		
2.1	Weight of truck in working order	6020 kg
2.2	Laden weight on front/rear axle	7515 kg / 3655 kg
2.3	Unladen weight on front/rear axle	1505 kg / 2365 kg
Wheels		
3.2	Size of front wheels	400/70-20 150B T37
3.5	Number of front wheels (x)	2x / 2x
3.6	b10 - Front track	1.52 mm
3.7	b11 - Rear track	1.63 mm
Dimensions		
4.1	α / β - Front/Rear mast angle	6° / 12°
4.2	h1 - Height (mast lowered)	2738 mm
4.3	h2 - Free lift	90 mm
4.4	h3 - Lift height (Duplex mast)	3700 mm
4.5	h4 - Height of extended mast	4763 mm
4.7	h6 - Height of driver protection (cab)	2496 mm
4.8	h7 - Height of seat	1473 mm
4.12	h10 - Height of towing coupling	760 mm
4.19	l1 - Total length	4701 mm
4.20	l2 - Length to fork heel	3501 mm
4.21	b1 - Overall width - Single/twin wheels	1924 mm / -
4.22	e / s / l - Fork dimensions	1200X125X40
4.23	Fork carriage to DIN 15173 A/B	FEM3
4.24	b3 - Width of fork clamp	1470 mm
4.31	m1 - Ground clearance under mast	450 mm
4.33	Ast - Aisle width for 1000 x 1200 pallet widthwise	6180 mm
4.34	Ast - Aisle width for 800 x 1200 pallet lengthwise	6180 mm
4.35	Wa - Turning radius	4030 mm
4.36	b13 - Inner turning radius	1135 mm
Performances		
5.1	Speed of travel laden / unladen	10 km/h / 22 km/h
5.2	Lifting speed laden / unladen	- / 0.30 m/s
5.3	Lowering speed laden / unladen	- / 0.40 m/s
5.5	Nominal pulling force laden / unladen	6290 daN / -
5.10	Service brake	Oil-Immersed Multi-Discs on Front & Rear Axles
Engine		
7.1	Engine manufacturer / Type	Perkins - 854F-E34T 54009.1 / Stage 3B
7.2	Useful power	55 kW
7.4	Number of pistons / Capacity	4 / 3400 cm ³
Miscellaneous		
8.2	Working hydraulic pressure for attachments	245 bar
8.3	Oil flow rate for attachments	97 l/min
8.4	Measured/guaranteed mean noise level at the ear of the operator	76 dB(A)



Characteristics of masts and residual capacities

Duplex Total Visibility		FVD 30	FVD 33	FVD 35	FVD 37	FVD 40	FVD 45	FVD 50	FVD 55
Lift height	mm	3030	3330	3530	3730	4030	4530	5030	5530
Height (mast lowered)	mm	2375	2525	2625	2785	2975	3225	3475	3725
Free lift	mm	0	0	0	0	0	0	0	0
Height of extended mast	mm	4115	4415	4615	4815	5115	5615	6115	6615
Residual Capacity without attachment (Industrial load chart)	kg	3000	3000	3000	3000	3000	2900	2600	2000
Residual Capacity with integrated side shift (Industrial load chart)	kg	3000	3000	3000	3000	3000	2800	2400	1900

Triplex Without Free Lift		FVT 55	FVT 67
Lift height	mm	5545	6745
Height (mast lowered)	mm	3055	3455
Free lift	mm	0	0
Height of extended mast	mm	6725	7925
Residual Capacity without attachment (Industrial load chart)	kg	1800	

Triplex Free Lift		FLT 37	FLT 40	FLT 43	FLT 45	FLT 47	FLT 50	FLT 55	FLT 60	FLT 65	FLT 70
Lift height	mm	3740	4040	4340	4540	4740	5040	5540	6040	6540	7040
Height (mast lowered)	mm	2275	2375	2525		2625	2785	2975	3225	3475	3725
Free lift	mm	1283	1383	1533		1633	1793	1983	2233	2483	2733
Height of extended mast	mm	4732	5032	5332		5732	6032	6532	7032	7532	8032
Residual Capacity without attachment (Industrial load chart)	kg	3000	3000	3000		2800	2600	2000	1800		1000
Residual Capacity with integrated side shift (Industrial load chart)	kg	3000	3000	2900		2600	2400	1900	1600		900



Siège Social
430 rue de l'Aubinière - 44150 Ancenis Cedex - France
Tel: +33(0)2 40 09 10 11 - Fax: +33 (0)2 40 09 10 97
www.manitou.com



This brochure describes versions and configuration options for Manitou products which may be fitted with different equipment. The equipment described in this brochure may be standard, optional or not available depending on version. Manitou reserves the right to change the specifications shown and described at any time and without prior warning. The manufacturer is not liable for the specifications given. For more information, contact your Manitou dealer. Non-contractual document. Product descriptions may differ from actual products. List of specifications is not comprehensive. The logos and visual identity of the company are the property of Manitou and may not be used without authorisation. All rights reserved. The photos and diagrams contained in this brochure are provided for information only.

MANITOU BF SA - Limited company with board of directors - Share capital: 39,547,824 euros - 857 802 508 RCS Nantes