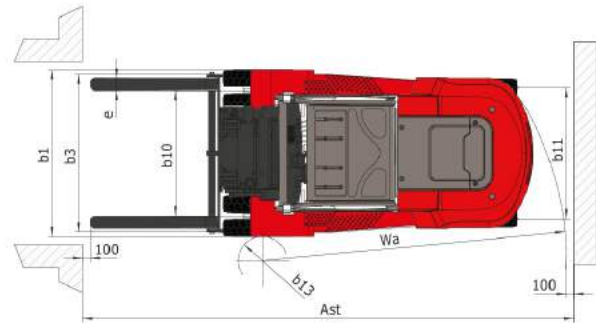
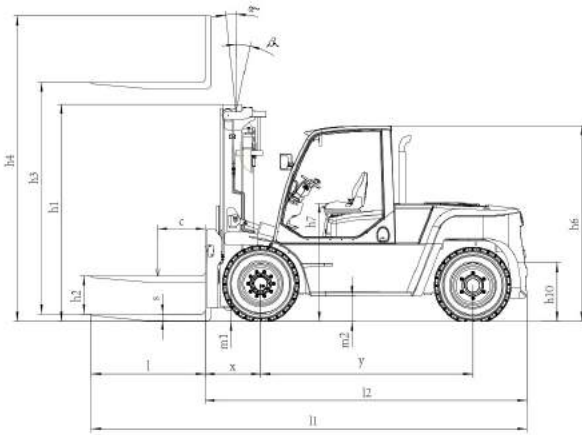


Technical sheet

MI 80 D

Masted Forklift Trucks

	Technical characteristics	Metric
1.1	Manufacturer	Manitou
1.2	Model	MI 80 D
1.3	Type of traction	Diesel
1.4	Type of operation	Seated
1.5	Q - Rated capacity	8000 kg
1.6	c - Center of gravity of load	600 mm
1.8	x - Distance from the load bearing surface to the centre of the front axle	700 mm
1.9	y - Wheelbase	2500 mm
	Weight	
2.1	Weight of truck in working order	11790 kg
2.2	Laden weight on front/rear axle	17670 kg / 2120 kg
2.3	Unladen weight on front/rear axle	4870 kg / 6920 kg
	Wheels	
3.1	Tyre equipment: bandage (V), PPS (SE), inflatable tyre (L)	mft_Inflatable
3.5	Number of front wheels (x)	4x / 2
3.6	b10 - Front track	1.63 mm
3.7	b11 - Rear track	1.70 mm
	Dimensions	
4.2	h1 - Height (mast lowered)	2700 mm
4.3	h2 - Free lift	200 mm
4.4	h3 - Lift height (Duplex mast)	3000 mm
4.5	h4 - Height of extended mast	4210 mm
4.7	h6 - Height of driver protection (cab)	2580 mm
4.8	h7 - Height of seat	1505 mm
4.12	h10 - Height of towing coupling	505 mm
4.19	l1 - Total length	5395 mm
4.20	l2 - Length to fork heel	3895 mm
4.21	b1 - Overall width - Single/twin wheels	2165 mm / -
4.22	e / s / l - Fork dimensions	1520 x 160 x 75
4.23	Fork carriage to DIN 15173 A/B	FEM 4A
4.24	b3 - Width of fork clamp	2040 mm
4.31	m1 - Ground clearance under mast	185 mm
4.33	Ast - Aisle width for 1000 x 1200 pallet widthwise	5640 mm
4.34	Ast - Aisle width for 800 x 1200 pallet lengthwise	5780 mm
4.35	Wa - Turning radius	3630 mm
4.36	b13 - Inner turning radius	1330 mm
	Performances	
5.1	Speed of travel laden / unladen	28 km/h / 32 km/h
5.2	Lifting speed laden / unladen	0.41 m/s / 0.44 m/s
5.3	Lowering speed laden / unladen	0.45 m/s / 0.36 m/s
5.5	Nominal pulling force laden / unladen	7200 daN / -
5.7	Maximum ramp laden / unladen	44 % / 44 %
5.10	Service brake	Hydraulic
	Engine	
7.1	Engine manufacturer / Type	Deutz - TCD 3.6 L4 / Stage IV / Tier 4 Final
7.2	Useful power	85 kW
7.4	Number of pistons / Capacity	4 / 4500 cm ³
	Miscellaneous	
8.2	Working hydraulic pressure for attachments	195 bar
8.3	Oil flow rate for attachments	180 l/min
8.4	Measured/guaranteed mean noise level at the ear of the operator	85 dB(A)



Characteristics of masts and residual capacities

Duplex Total Visibility		FVD 30	FVD 33	FVD 36	FVD 40	FVD 45	FVD 50
Lift height	mm	3000	3300	3600	4000	4500	5000
Height (mast lowered)	mm	2700	2850	3000	3200	3500	3750
Free lift	mm	200	200	200	200	200	200
Height of extended mast	mm	4120	4510	4810	5210	5710	6210
Residual Capacity without attachment (Industrial load chart)	kg	8000	8000	8000	8000	8000	8000
Residual Capacity with integrated side shift (Industrial load chart)	kg	7600	7600	7600	7600	7600	7600
Forward/backward mast tilt angle	°	6 / 12	6 / 12	6 / 12	6 / 12	6 / 6	6 / 6

Triplex Free Lift		FLT 45	FLT 48	FLT 50	FLT 55	FLT 60
Lift height	mm	4500	4800	5000	5500	6000
Height (mast lowered)	mm	2750	2850	2950	3100	3250
Free lift	mm	1485	1585	1600	1800	1985
Height of extended mast	mm	5775	6075	6360	6810	7275
Residual Capacity without attachment (Industrial load chart)	kg	7000	7000	6500	6100	5600
Residual Capacity with integrated side shift (Industrial load chart)	kg	6600	6600	6100	5700	5200
Forward/backward mast tilt angle	°	6 / 6	6 / 6	6 / 6	3 / 6	3 / 6



Siège Social
430 rue de l'Aubinière - 44150 Ancenis Cedex - France
Tel: +33(0)2 40 09 10 11 - Fax: +33 (0)2 40 09 10 97
www.manitou.com



This brochure describes versions and configuration options for Manitou products which may be fitted with different equipment. The equipment described in this brochure may be standard, optional or not available depending on version. Manitou reserves the right to change the specifications shown and described at any time and without prior warning. The manufacturer is not liable for the specifications given. For more information, contact your Manitou dealer. Non-contractual document. Product descriptions may differ from actual products. List of specifications is not comprehensive. The logos and visual identity of the company are the property of Manitou and may not be used without authorisation. All rights reserved. The photos and diagrams contained in this brochure are provided for information only.

MANITOU BF SA - Limited company with board of directors - Share capital: 39,547,824 euros - 857 802 508 RCS Nantes