

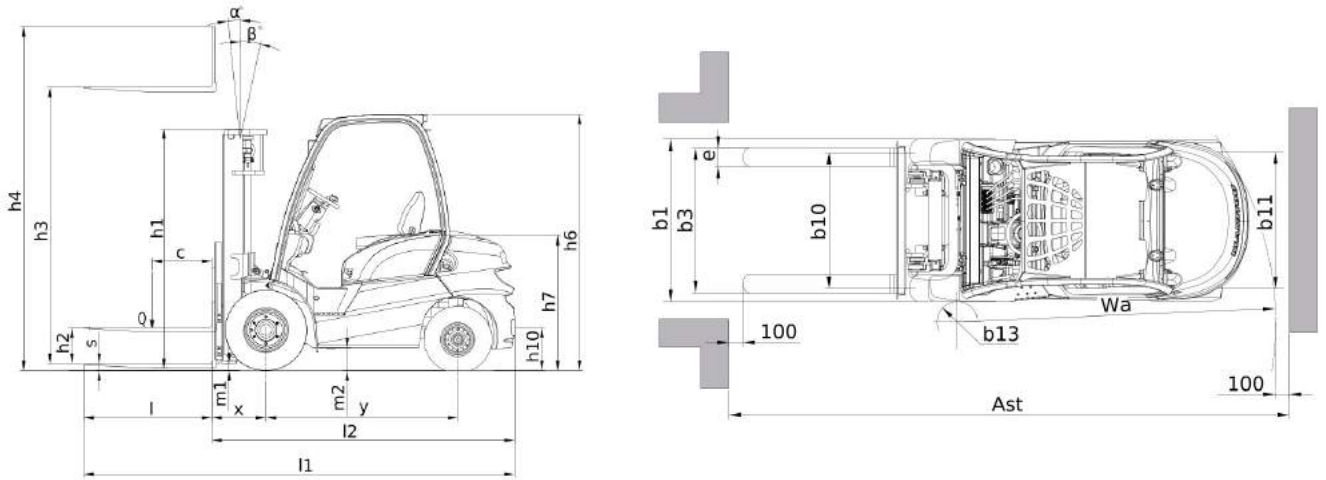
Technical sheet

MI 18 D

Masted Forklift Trucks



	Technical characteristics	Metric
1.1	Manufacturer	Manitou
1.2	Model	MI 18 D
1.3	Type of traction	Diesel
1.4	Type of operation	Seated
1.5	Q - Rated capacity	1800 kg
1.6	c - Center of gravity of load	500 mm
1.8	x - Distance from the load bearing surface to the centre of the front axle	405 mm
1.9	y - Wheelbase	1420 mm
Weight		
2.1	Weight of truck in working order	3100 kg
2.2	Laden weight on front/rear axle	4260 kg / 640 kg
2.3	Unladen weight on front/rear axle	1315 kg / 1785 kg
Wheels		
3.1	Tyre equipment: bandage (V), PPS (SE), inflatable tyre (L)	Solid cushion
3.5	Number of front wheels (x)	2x / 2
3.6	b10 - Front track	0.90 mm
3.7	b11 - Rear track	0.92 mm
Dimensions		
4.2	h1 - Height (mast lowered)	2150 mm
4.3	h2 - Free lift	160 mm
4.4	h3 - Lift height (Duplex mast)	3300 mm
4.5	h4 - Height of extended mast	4260 mm
4.7	h6 - Height of driver protection (cab)	2090 mm
4.8	h7 - Height of seat	1160 mm
4.12	h10 - Height of towing coupling	315 mm
4.19	l1 - Total length	3350 mm
4.20	l2 - Length to fork heel	2280 mm
4.21	b1 - Overall width - Single/twin wheels	1080 mm / 1500 mm
4.22	e / s / l - Fork dimensions	1070 x 100 x 30
4.23	Fork carriage to DIN 15173 A/B	FEM 2A
4.24	b3 - Width of fork clamp	1000 mm
4.31	m1 - Ground clearance under mast	115 mm
4.33	Ast - Aisle width for 1000 x 1200 pallet widthwise	3580 mm
4.34	Ast - Aisle width for 800 x 1200 pallet lengthwise	3780 mm
4.35	Wa - Turning radius	1980 mm
4.36	b13 - Inner turning radius	55 mm
Performances		
5.1	Speed of travel laden / unladen	18.60 km/h / 19.30 km/h
5.2	Lifting speed laden / unladen	0.50 m/s / 0.55 m/s
5.3	Lowering speed laden / unladen	0.50 m/s / 0.55 m/s
5.5	Nominal pulling force laden / unladen	1440 daN / -
5.7	Maximum ramp laden / unladen	20 % / 20 %
5.10	Service brake	Hydraulic
Engine		
7.1	Engine manufacturer / Type	Yanmar / -
7.2	Useful power	32.80 kW
7.3	Rated speed	2450 rpm
7.4	Number of pistons / Capacity	4 / 2659 cm ³
7.5	Fuel consumption according to VDI cycle	3.26 l/h
Miscellaneous		
8.2	Working hydraulic pressure for attachments	160 bar
8.3	Oil flow rate for attachments	56 l/min
8.4	Measured/guaranteed mean noise level at the ear of the operator	86 dB(A)



Characteristics of masts and residual capacities

Duplex Total Visibility		FVD 33	FVD 37	FVD 40
Lift height	mm	3300	3700	4000
Height (mast lowered)	mm	2145	2395	2595
Free lift	mm	155	155	155
Height of extended mast	mm	3865	4265	4600
Residual Capacity without attachment (Industrial load chart)	kg	1800	1800	1800
Residual Capacity with integrated side shift (Industrial load chart)	kg	1750	1750	1750
Forward/backward mast tilt angle	°	6 / 12	6 / 12	6 / 12

Duplex Free Lift		FLD 33	FLD 37	FLD 40
Lift height	mm	3300	3700	4000
Height (mast lowered)	mm	2160	2360	2560
Free lift	mm	1575	1775	1975
Height of extended mast	mm	3885	4285	4585
Residual Capacity without attachment (Industrial load chart)	kg	1800	1800	1700
Residual Capacity with integrated side shift (Industrial load chart)	kg	1750	1750	1650
Forward/backward mast tilt angle	°	6 / 12	6 / 12	6 / 12

Triplex Free Lift		FLT 43	FLT 45	FLT 47	FLT 48	FLT 50	FLT 55	FLT 60	FLT 65
Lift height	mm	4300	4500	4700	4800	5000	5500	6000	6500
Height (mast lowered)	mm	2070	2120	2170	2220	2270	2480	2720	21320
Free lift	mm	1400	1500	1585	1600	1685	1885	2100	2200
Height of extended mast	mm	4980	5130	5380	5430	5595	6095	6720	9410
Residual Capacity without attachment (Industrial load chart)	kg	1700	1700	1650	1650	1350	1050	750	
Residual Capacity with integrated side shift (Industrial load chart)	kg	1600	1600	1550	1550	1250	950	650	
Forward/backward mast tilt angle	°	6 / 6	6 / 6	6 / 6	6 / 6	6 / 6	3 / 6	3 / 6	3 / 6



Siège Social
430 rue de l'Aubinière - 44150 Ancenis Cedex - France
Tel: +33(0)2 40 09 10 11 - Fax: +33 (0)2 40 09 10 97
www.manitou.com



This brochure describes versions and configuration options for Manitou products which may be fitted with different equipment. The equipment described in this brochure may be standard, optional or not available depending on version. Manitou reserves the right to change the specifications shown and described at any time and without prior warning. The manufacturer is not liable for the specifications given. For more information, contact your Manitou dealer. Non-contractual document. Product descriptions may differ from actual products. List of specifications is not comprehensive. The logos and visual identity of the company are the property of Manitou and may not be used without authorisation. All rights reserved. The photos and diagrams contained in this brochure are provided for information only.

MANITOU BF SA - Limited company with board of directors - Share capital: 39,547,824 euros - 857 802 508 RCS Nantes

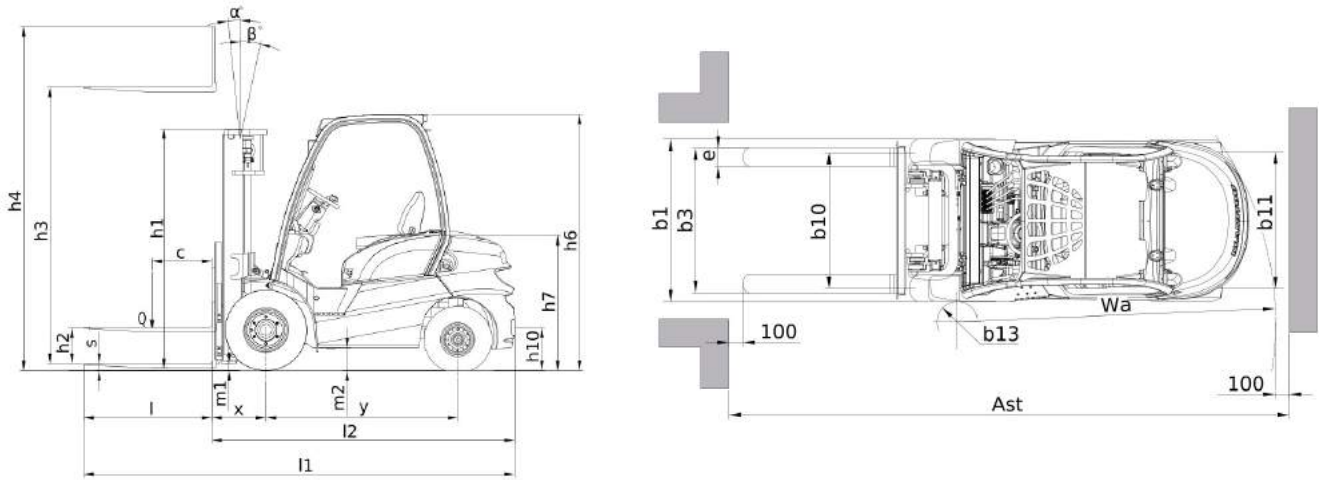
Technical sheet

MI 18 G

Masted Forklift Trucks



Technical characteristics		Metric
1.1	Manufacturer	Manitou
1.2	Model	MI 18 G
1.3	Type of traction	LPG gas
1.4	Type of operation	Seated
1.5	Q - Rated capacity	1800 kg
1.6	c - Center of gravity of load	500 mm
1.8	x - Distance from the load bearing surface to the centre of the front axle	405 mm
1.9	y - Wheelbase	1420 mm
Weight		
2.1	Weight of truck in working order	2905 kg
2.2	Laden weight on front/rear axle	4160 kg / 545 kg
2.3	Unladen weight on front/rear axle	1215 kg / 1690 kg
Wheels		
3.1	Tyre equipment: bandage (V), PPS (SE), inflatable tyre (L)	L
3.5	Number of front wheels (x)	2x / 2
3.6	b10 - Front track	0.90 mm
3.7	b11 - Rear track	0.92 mm
Dimensions		
4.2	h1 - Height (mast lowered)	2150 mm
4.3	h2 - Free lift	160 mm
4.4	h3 - Lift height (Duplex mast)	3300 mm
4.5	h4 - Height of extended mast	4260 mm
4.7	h6 - Height of driver protection (cab)	2090 mm
4.8	h7 - Height of seat	1160 mm
4.12	h10 - Height of towing coupling	315 mm
4.19	l1 - Total length	3350 mm
4.20	l2 - Length to fork heel	2280 mm
4.21	b1 - Overall width - Single/twin wheels	1080 mm / -
4.22	e / s / l - Fork dimensions	1070 x 100 x 35
4.23	Fork carriage to DIN 15173 A/B	FEM 2A
4.24	b3 - Width of fork clamp	1000 mm
4.31	m1 - Ground clearance under mast	115 mm
4.33	Ast - Aisle width for 1000 x 1200 pallet widthwise	3580 mm
4.34	Ast - Aisle width for 800 x 1200 pallet lengthwise	3780 mm
4.35	Wa - Turning radius	1980 mm
4.36	b13 - Inner turning radius	55 mm
Performances		
5.1	Speed of travel laden / unladen	17.50 km/h / 18 km/h
5.2	Lifting speed laden / unladen	0.45 m/s / 0.55 m/s
5.3	Lowering speed laden / unladen	0.50 m/s / 0.55 m/s
5.5	Nominal pulling force laden / unladen	1450 daN / -
5.7	Maximum ramp laden / unladen	20 % / -
5.10	Service brake	Hydraulic
Engine		
7.1	Engine manufacturer / Type	Nissan / Stage 3A
7.2	Useful power	31.50 kW
7.3	Rated speed	2250 rpm
7.4	Number of pistons / Capacity	4 / 2065 cm ³
7.5	Fuel consumption according to VDI cycle	5.70 l/h
Miscellaneous		
8.2	Working hydraulic pressure for attachments	160 bar
8.3	Oil flow rate for attachments	53 l/min
8.4	Measured/guaranteed mean noise level at the ear of the operator	81 dB(A)



Characteristics of masts and residual capacities

Duplex Total Visibility		FVD 33	FVD 37	FVD 40
Lift height	mm	3300	3700	4000
Height (mast lowered)	mm	2145	2395	2595
Free lift	mm	155	155	155
Height of extended mast	mm	3865	4265	4600
Residual Capacity without attachment (Industrial load chart)	kg	1800	1800	1800
Residual Capacity with integrated side shift (Industrial load chart)	kg	1750	1750	1750
Forward/backward mast tilt angle	°	6 / 12	6 / 12	6 / 12

Duplex Free Lift		FLD 33	FLD 37	FLD 40
Lift height	mm	3300	3700	4000
Height (mast lowered)	mm	2160	2360	2560
Free lift	mm	1575	1775	1975
Height of extended mast	mm	3885	4285	4585
Residual Capacity without attachment (Industrial load chart)	kg	1800	1800	1700
Residual Capacity with integrated side shift (Industrial load chart)	kg	1750	1750	1650
Forward/backward mast tilt angle	°	6 / 12	6 / 12	6 / 12

Triplex Free Lift		FLT 43	FLT 45	FLT 47	FLT 48	FLT 50	FLT 55	FLT 60	FLT 65
Lift height	mm	4300	4500	4700	4800	5000	5500	6000	6500
Height (mast lowered)	mm	2070	2120	2170	2220	2270	2470	2720	21320
Free lift	mm	1400	1500	1585	1600	1685	1885	2100	2200
Height of extended mast	mm	4980	5130	5380	5430	5595	6095	6730	9410
Residual Capacity without attachment (Industrial load chart)	kg	1700	1700	1650	1650	1350	1050	750	
Residual Capacity with integrated side shift (Industrial load chart)	kg	1600	1600	1550	1550	1250	950	650	
Forward/backward mast tilt angle	°	6 / 6	6 / 6	6 / 6	6 / 6	6 / 6	3 / 6	3 / 6	



Siège Social
430 rue de l'Aubinière - 44150 Ancenis Cedex - France
Tel: +33(0)2 40 09 10 11 - Fax: +33 (0)2 40 09 10 97
www.manitou.com



This brochure describes versions and configuration options for Manitou products which may be fitted with different equipment. The equipment described in this brochure may be standard, optional or not available depending on version. Manitou reserves the right to change the specifications shown and described at any time and without prior warning. The manufacturer is not liable for the specifications given. For more information, contact your Manitou dealer. Non-contractual document. Product descriptions may differ from actual products. List of specifications is not comprehensive. The logos and visual identity of the company are the property of Manitou and may not be used without authorisation. All rights reserved. The photos and diagrams contained in this brochure are provided for information only.

MANITOU BF SA - Limited company with board of directors - Share capital: 39,547,824 euros - 857 802 508 RCS Nantes